



WITTIG

COMPRESSORS & VACUUM PUMPS FOR GLASS MANUFACTURING

WITTIG™ Rotary Vane

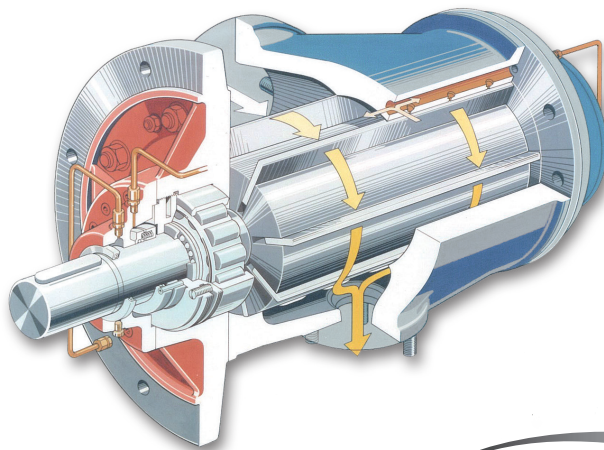
When producing the hollow glassware large volumes of compressed air and vacuum are required. High quality and reliability of all units and components is of prime importance, because equipment failure during production invariably means extremely high costs. For continuous 24-hour operation, rotary vane compressors and vacuum pumps offer the best solution.

Compressed air is used to form the blanks in the production machines. A compressed air system is needed to control the various shaping devices and the general air supply of the factory.

Rotary vane vacuum pumps are used to evacuate the glass molds. This ensures high product quality and increasing the number of pieces per hour poses no problem. Keeping operating costs low is of prime importance. Rotary vane vacuum pumps are the only technology to deliver maximum availability.

For higher volumes vacuum pumping stations are used. These two-stage systems consist of a rotary lobe and rotary vane vacuum pump and are used for the production of electric light bulbs and fluorescent tubes.

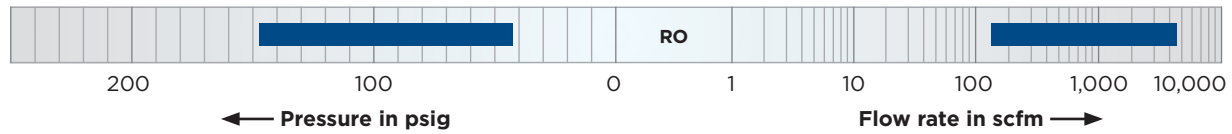
- Comprehensive logistics
- On-time delivery
- Quick response times
- Designed & manufactured in Germany



NASH
by Gardner Denver



Pressure



Vacuum



WITTIG RO

- Low maintenance
 - Low pulsation
 - Little oil carry over
 - Low life-cycle costs
 - Microprocessor control
- WITTIG MPC 3010 as standard

WITTIG WPSO

- Reliable and economical
 - Low maintenance
 - Easy to service
 - Robust construction
 - Few moving parts
 - Microprocessor control
- WITTIG MPC 3010 as standard

NASH

Gardner Denver Nash, LLC

PO Box 130
Bentleyville, PA 15314 USA
800-553-NASH
+1 724 239 1500

nash@gardnerdenver.com
www.GDNash.com

©2017 Gardner Denver Nash, LLC Printed in U.S.A.
GDN-W-MB-1139 1st Ed. 04/17

**Gardner
Denver**

 Please recycle after use.